

BRUGER MANUAL

26 cc Hækkeklipper 2 meter

4-takts hækkeklipper/græstrimmer/buskrydder/kædesav

43 cc hækkeklipper/græstrimmer/buskrydder/kædesav

52 cc hækkeklipper/græstrimmer/buskrydder/kædesav



SIKKERHEDSANVISNINGER

Alle sikkerhedsforanstaltninger SKAL overholdes. Som alt andet skærende værktøj, skal denne maskine håndteres med forsigtighed.

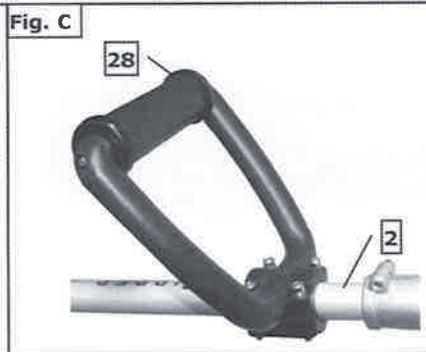
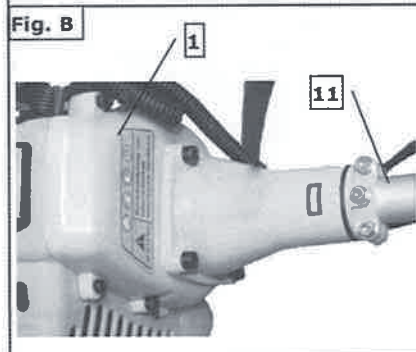
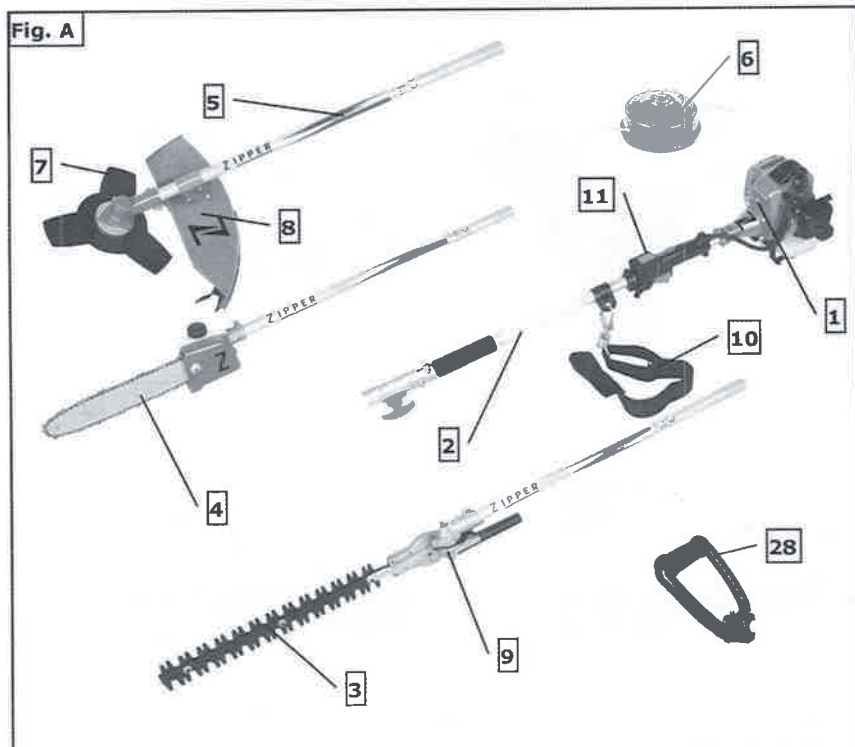
UDSÆT IKKE DIG SELV ELLER ANDRE FOR FARE.

- Giv aldrig en ikke erfaren bruger lov til at bruge maskinen før de er helt fortrolige med denne manual og forstår hvordan maskinen virker.
- Brug altid sikkerhedsbriller. Brug ikke løstsiddende tøj og smykker. Brug altid sikkerhedsfodtøj. Langt hår tildækkes.
- Gennemgå altid hele maskinen for løse bolte, skruer og møtrikker før den tages i brug. Hvis det er nødvendigt efterspændes eller repareres maskinen.
- Hav et fast greb i håndtaget når maskinen er i brug.
- Bland aldrig benzin i et indelukket rum eller i nærheden af åben ild. Sørg for ordentlig ventilation.
- Tag aldrig benzindækslet af multibeskæren når motoren kører.
- Start aldrig motoren inden døre. Udstødningsgassen danner kulilte.
- Brug aldrig maskinen hvis den er skadet eller på anden måde defekt.
- Afmonter aldrig maskinens beskyttelsesskærme.
- Inspicer arealet, der skal ryddes og fjern eventuelt objekter der kan ødelægge klippeholdet.
- Efterlad aldrig maskinen uden opsyn.
- Fingre og fødder må ALDRIG komme i kontakt med skærehovedet.
- Brug aldrig maskinen hvis du er træt, syg eller påvirket af medicin eller alkohol.
- Rengør altid maskinen efter brug.
- Ved tankning af maskinen skal motoren være strandset og helt kold.
- Stands altid maskinen før reparation eller justeringer.
- Motoren skal slukkes hvis man skal flytte maskinen fra et område til et andet.
- Når motoren stoppes er udstødningen meget varm en periode. Læg den derfor aldrig i tørt græs eller andre let antændelige steder.
- Brug altid høreværn, hjelm og ansigtsbeskyttelse.
- Du skal sikre dig at børn, omkringstående og hjælpere opretholder en afstand på 15 meter fra maskinen.

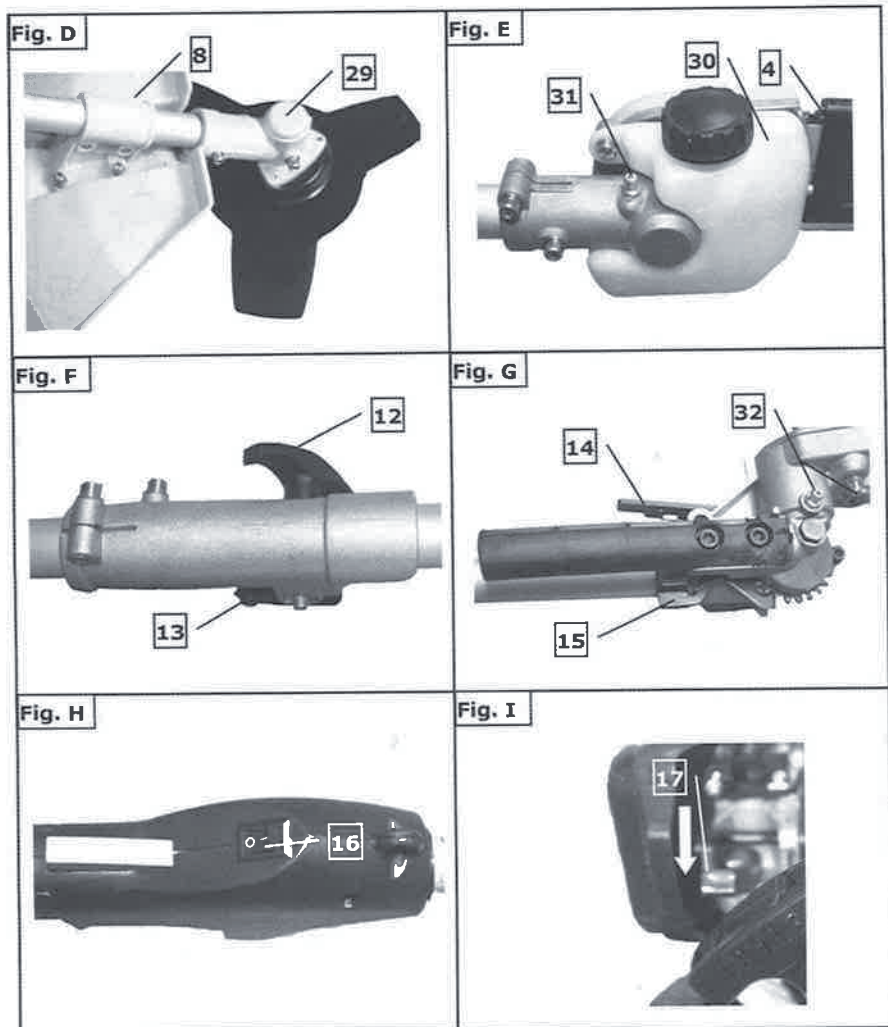
OPBEVARING

Før du opmagasinerer maskinen skal du tømme benzintanken og lade motoren køre indtil den har brugt al den resterende benzin i benzinslangen og karburatoren. Opbevar maskinen indendørs og tag de nødvendige foranstaltninger mod rust.

OVERSICHTSTEGNING



OVERSIGTSTEGNING



OVERSICHTSTEGNING

Fig. J

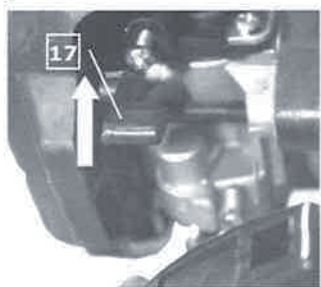


Fig. K

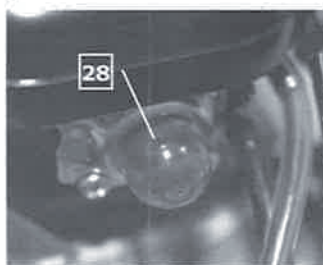


Fig. L

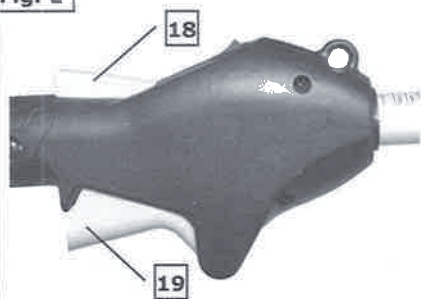


Fig. M



Fig. O

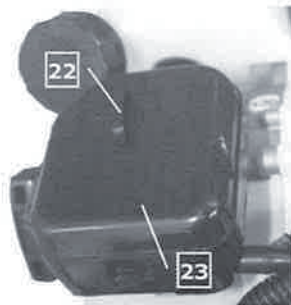


Fig. P



OVERSIGTSTEGNING

Fig. W



Fig. X



Fig. Y

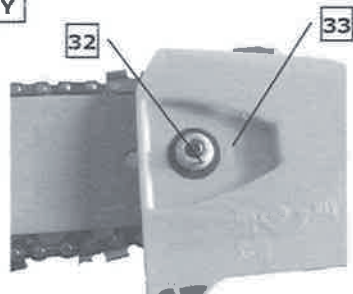


Fig. Z

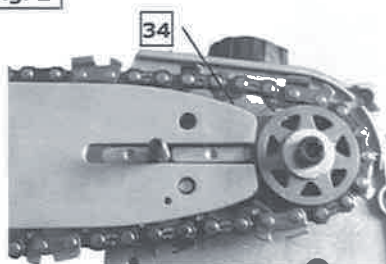


Fig. a

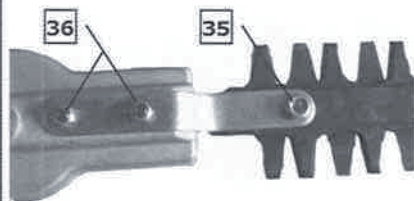
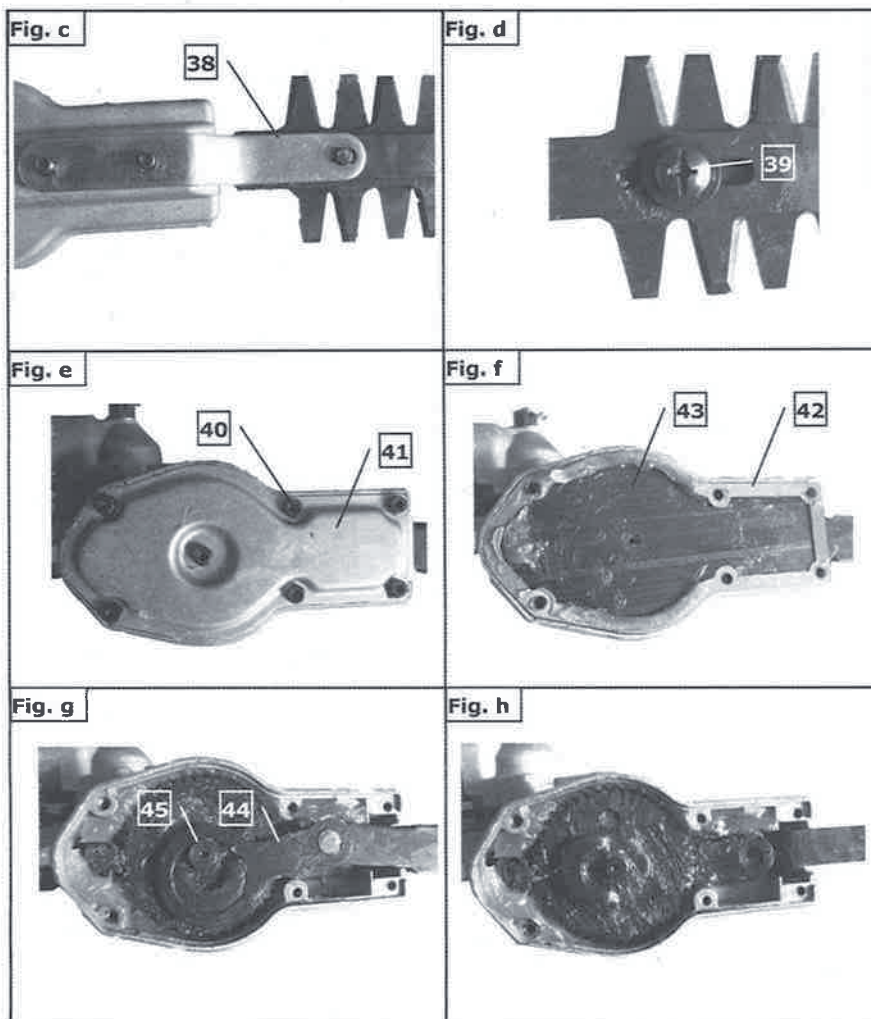


Fig. b



OVERSICHTSTEGNING



2

USER MANUAL

Dear Customer!

This manual contains important information and advice for the correct and safe use and maintenance of the IMPOS garden maintenance set 4012. The manual is part of the machine and may not be stored separately. Read it profoundly before first use of the machine and keep it for later reference. When the machine is handed to other persons always put the manual to the machine.

Please follow the security instructions!

Due to continuous development of our products illustrations, pictures might differ slightly.

Attention!

Technical changes reserved!

2.1 Components (Fig. A)

1	Engine
2	Extension pole
3	Hedge trimmer
4	Twig saw
5	Brush cutter
6	Trimmer
7	Scythe blade
8	Safety cover
9	Angle adjustment hedge trimmer
10	Belt
11	Pole with control panel

2.4 SAFETY INSTRUCTIONS

The IMPOS garden maintenance set 4012 shall only be used for mowing and trimming grass at moderate and non-slippery terrain and for cutting twigs and hedges.



WARNING

Do not change the mowing attachment. Using saw blades for the machine is forbidden!

ZIPPER MASCHINEN cannot be held responsible for any injuries or damages if there was performed manipulation or adjustments to the machine.



Do not operate the machine at insufficient lighting conditions.

Do not operate the machine when you are tired, when your concentration is impaired, and/ or under the influence of drugs, medication or alcohol.



The machine shall be used only by trained persons.

Non authorized persons, especially children, shall be kept away from the work area.



Do not wear loose clothing, long hair openly or loose jewellery like necklaces etc. when operating the machine

They might be caught by rotating parts and cause serious injuries.



Burning Hazard! During working hot exhaust gases escape and some parts like the engine are getting very hot.



Always be focused when working, take care to maintain a safe posture at every time.

Do not use the machine on a slope steeper than 20°.

Do not work on slippery ground.

The operation of the machine on icy or snowy ground is forbidden!

Slipping/ stumbling/ falling down are a frequent cause of severe injuries.



Use proper safety clothing and devices when operating the machine (safety gloves, safety goggles, ear protectors, safety shoes ...)!



The machine may only be operated outdoors.

If there are some components still hot, the machine won't be allowed to be stored.

2.4.1 Remaining risks

- Danger by sound:
Working without ear protectors can damage the hearing.
- Danger by the working area:
Take care of stones and other things that can fly around and of falling down twigs.
- Danger for the hands (fingers):
Never touch the mowing attachment, the hedge trimmer or the twig saw during the operation. After operation the machine has to get cold. Otherwise, there's a high burning hazard!

2.5 Assembly

- Mount the pole with the control panel 11 on the engine (Fig. B).
- Then you have to fit the handle 28 on the extension pole 2 (Fig. C).
- Now fix the safety cover 8 on the brush cutter like shown in Fig. D.
- Then the slot for the attachments 29 has to be fitted on the pole (Fig. D).
- Then mount the twig saw 4 like shown in Fig. E, on the related pole.
- Then you have to fit the belt 10 into the related hole (Fig. A).

2.6 Operation Instructions



IMPORTANT

Do not operate the engine at maximum speed right from the start. The engine itself reaches its maximum capacity after the first 10 hours of operation. Non-compliance with this instruction reduces your engine lifespan substantially.

2.6.1 Cold starting

- Turn the ignition 16 to the position I (Fig. H).
- Turn the choker 17 into the position like shown in Fig. J.
- Now push the button 28 3 to 5 times (Fig. K).
- Pull at the cable control 20 powerfully to start the engine (Fig. M). When the engine



During refuelling open light, fire or smoking is forbidden.

Don't refuel when the engine's running or some components are still hot.

Only refuel outdoors or in good ventilated rooms.

Always wipe off spilt fuel immediately.

Fuel is flammable very easily!

doesn't start you'll have to push the button some times more.

- When the engine's running, you have to turn the choker 17 off again (Fig. I).

2.6.2 Warm starting

- Turn on the ignition 16 (Fig. H).
- Let the choker 17 turned off (Fig. F).
- Do the next steps like cold starting.

2.6.3 Stopping

- Turn the ignition 16 to the position O (Fig. H)
- Wait till the engine stands still and all components are cold again.

2.6.4 Regulating the engine speed

- For this you have to use the throttle handle shown in Fig. L.
- At first you have to push the lock handle 18.
- Now the throttle handle 19 can be pushed.

2.7 Operation

For operation all safety devices and the belt must be used!

2.7.1 Mounting the operation attachments

- For this work the engine has to stand still!
- Loosen the hand screw 12.
- Then push the safety cover 13 to the outside.
- Push the handle being under the safety cover and remove the pole with the engine.
- Put the new pole with the attachment into the hole.
- Push the handle again and take care that the hook at the inside of the pole fits into the hole.

- Push the cover **13** to the pole and fasten the hand screw **12** again.

2.7.2 Operation brush cutter

- Changing the mowing attachment
For the blade you have to use the nut.
The trimmer is fitted by the threaded hole.
- Operation with the blade (Fig. U)
Start the machine. Now hang the belt round your neck. Operate the throttle handle and start mowing like shown on the picture.
- Operation with the trimmer
Do that like mowing with the blade.

2.7.3 Operation twig saw (Fig. V)

- Take care that you aren't standing under the twig you want to cut.
- Remove the safety cover.
- Start the engine.
- Hang the belt around your neck.
- Position the saw where you want to cut.
- Operate the throttle handle and cut the twig carefully from the upper to the lower side.

2.7.4 Operation hedge trimmer

- Adjustment of the cutting angle (Fig. G)
Push the lock handle **14**. Then operate the handle **15**. Now turn the hedge trimmer to the required position. Stop pushing the handles. Take care that both latch into position.
- Horizontal cuts (Fig. W)
Adjust the required cutting angle. Remove the safety covers. Start the machine and hang the belt round your neck. Now cut the hedge like shown on the picture.
- Vertical cuts (Fig. X)
Do this like cutting horizontal cuts. Cut the hedge like shown on the picture.

2.8 Maintenance

 **ACHTUNG**



No cleaning, upkeep, checks or maintenance when machine is running

Be safe: Shut off the machine, let it cool down, disconnect spark plug cap from spark plug.

The machine does not require intense maintenance. However, to ensure a long lifespan, we strongly recommend following the upkeep and maintenance plan.

Repairs must be carried out by specialists! Use original ZIPPER parts only!

2.8.1 Maintenance plan

Controls for the maintenance of the machine	
Loose or lost screws, nuts, bolts	Regularly prior to each operation
Damage of any part of the machine	Regularly prior to each operation
Machine cleaning	Regularly after operation
Cleaning spark plug	Every 25 working hours
Cleaning air filter	Every 20-30 working hours

2.8.2 Cleaning

Clean the machine and the working attachment from soil, dust, grass, chips, and small twigs, etc.

Clean the machine housing with a wet cloth and a mild cleaning solution.

Put on all coatless flats a thin coat of oil.



IMPORTANT

The usage of solvents, aggressive chemicals or scouring agents damages the machine housing.

2.8.3 Refuelling

The machine is run by a gasoline-oil mixture. You need for the 2-Stroke engine a fuel mixture of 25:1 (gasoline : oil).

Ensure yourself that no particles get into the fuel tank **21** when refuelling (Fig. M). Use a filter.

distributed. Clean the spark plug and fit it again.

- Cover the machine and store it at a dry and clean place.

2.8.11 Controlling the oil level

Before using the twig saw you have to control the oil level of the oil tank **30** for the twig saw (Fig. E). Refill it when there's too less oil in it.

2.8.12 Disposal

Do not dispose your IMPOS 4012 in the residual waste! Contact your local authorities for information about best available disposal possibilities in your area. Drain fuel from the fuel tank completely before disposing the



machine. Disaggregate the machine into its components before disposing them.

2.9 Spare part order

With original ZIPPER spare parts you use parts that are attuned to each other and shorten the installation time and elongate your machines lifespan.

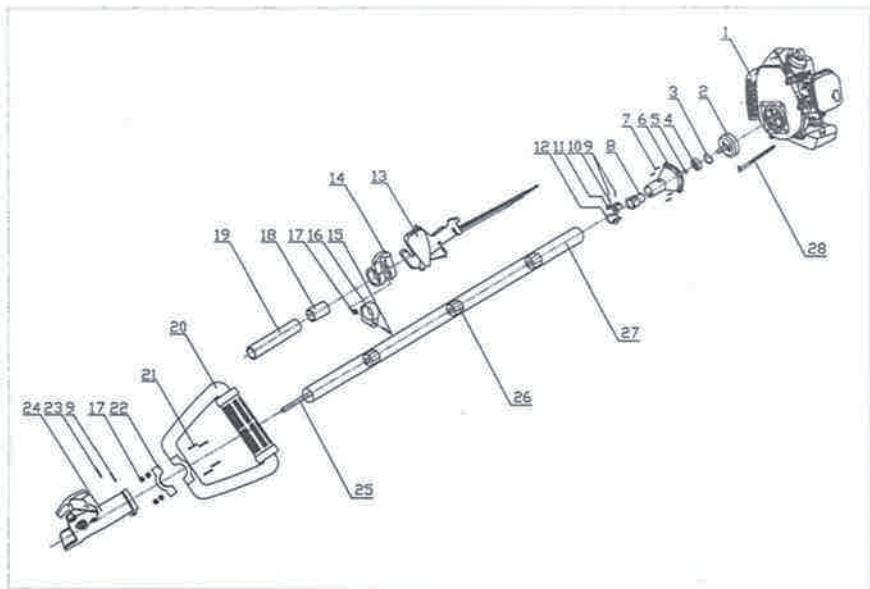
HINWEIS

The installation of non-original parts renders warranty null and void.

Exempted is the replacement of the spark plug if carried out by a specialist.

You find the order address in the preface of this operation manual.

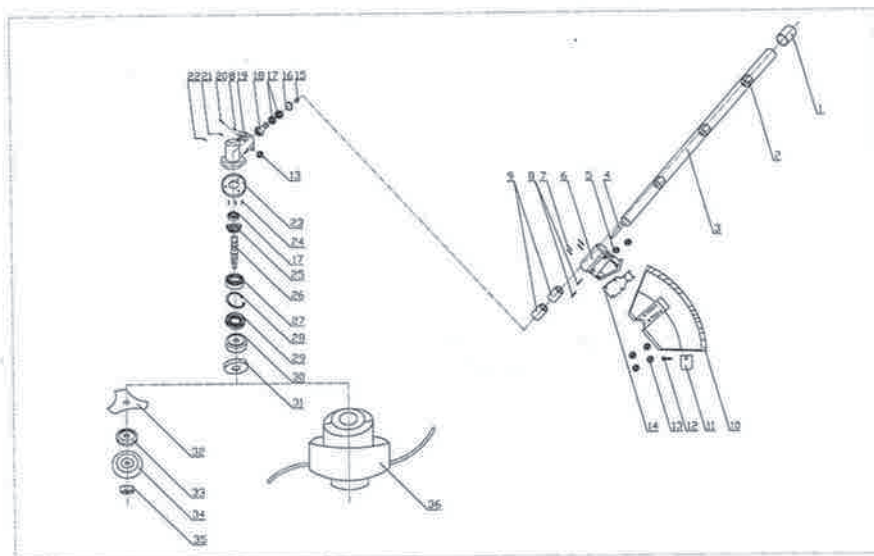
2.10 Spare part drawings and spare part lists



BRUGER MANUAL PÅ ENGELSK

Pos.	Name	Pcs.
1	Engine 34 F	1
2	Clutch	1
3	Flat washer Ø32xØ38x1,5	1
4	Bearing 6202	1
5	Spring washer Ø13xØ17x1	1
6	Clutch rim	1
7	Screw M6x20	4
8	Rubber cover	1
9	Screw M5x25	3
10	Screw M5x12	1
11	Fixing plate I	1
12	Fixing plate II	1
13	Hand bar with switch	1

14	Belt ring	1
15	Screw M5x25	1
16		1
17	Nut M5	5
18	Rubber cover	1
19	Handle pole	1
20	Handle bar	1
21	Screw M5x30	4
22	Fixing plate	1
23	Screw M5x16	1
24	Shaft connection	1
25	Gear shaft	1
26	Bearing	3
27	Aluminium pipe	1



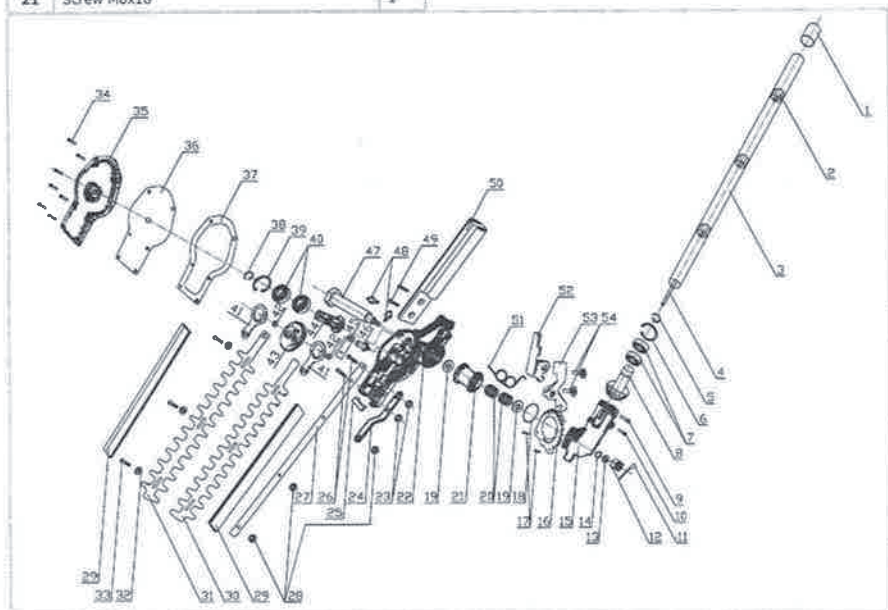
Pos.	Name	Pcs.
1	Safety cover	1
2	Bearing	3

3	Aluminium pipe	1
4	Gear shaft	1
5	Nut M5	2

BRUGER MANUAL PÅ ENGELSK

6	Fixing plate	1
7	Screw M5x20	4
8	Screw M5x25	3
9	Rubber cover	2
10	Plastic protection	1
11	Protection blade	1
12	Screw ST4x16	1
13	Nut M5	5
14	Connecting plate	1
15	Washer Ø10	1
16	Washer Ø26	1
17	Bearing 6000	3
18	Cone gear	1
19	Gear housing	1
20	Screw M5x35	1
21	Screw M6x18	1

22	Screw M6x12	1
23	Upper safety cover	1
24	Screw M5x10	3
25	Cone gear	1
26	Cone gear	1
27	Bearing 6002	1
28	Washer Ø30xØ34x1	1
29	Oil seal Ø20xØ32x6	1
30	Washer	1
31	Upper fixing plate	1
32	Blade	1
33	Lower Fixing plate	1
34	Lower Safety cover	1
35	Flange M10x1,25	1
36	Trimmer	1

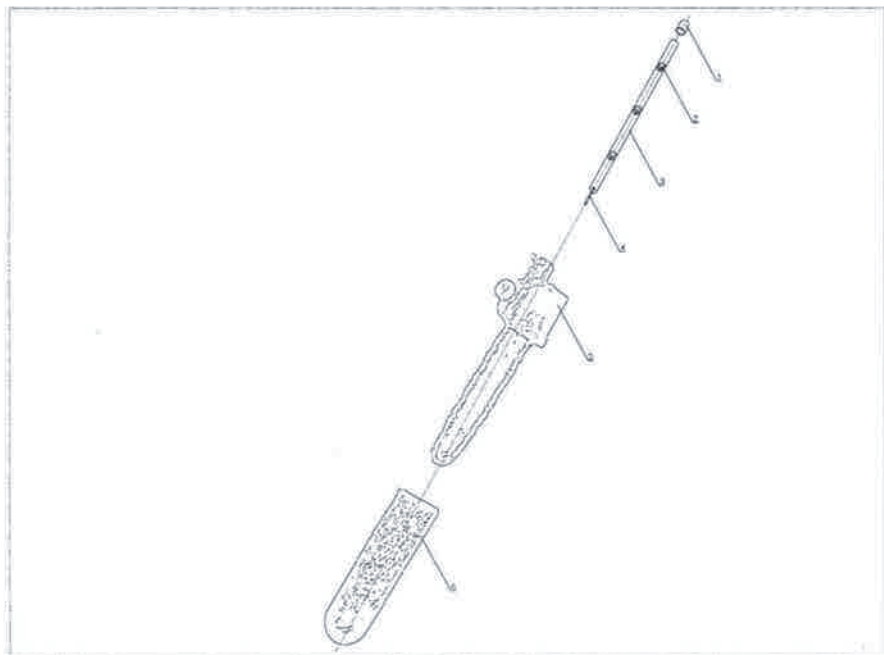


BRUGER MANUAL PÅ ENGELSK

Pos.	Name	Pcs.
1	Rubber cover	1
2	Bearing	3
3	Aluminium pipe	1
4	Gear shaft	1
5	Washer Ø9	1
6	Washer Ø22xØ26x1	1
7	Bearing 609-2RS	2
8	Cone gear	1
9	Screw M5x25	1
10	Screw M5x16	1
11	Cotter	1
12	Nut M6	1
13	Flat washer Ø6,5xØ13x1	5
14	Wave washer Ø6,5xØ13x1	1
15	Gear housing	1
16	Gear wheel	1
17	Screw M5x16	2
18	O-Ring	1
19	Flat washer Ø10xØ16x2	2
20	Neddie bearing	2
21	Double cone gear	1
22	Gear housing	1
23	Flange M	2
24	Connecting plate	1
25	Wool gasket	1
26	Screw M5x20	2
27	Blade fixing plate	1

28	Nut M6	3
29	Blade protection	2
30	Upper blade	1
31	Lower blade	1
32	Flat washer Ø6,5xØ16x2	3
33	Screw M6x20	3
34	Screw N4x10	7
35	Cover	1
36	Cover plate	1
37	Gasket	1
38	Washer Ø12	1
39	Washer Ø26xØ31x1	1
40	Bearing 6001RS	2
41	Piston rod	2
42	Cover	1
43	Cam gear	1
44	Gear	1
45	Fixing plate	1
46	Cam shaft	1
47	Gear shaft	1
48	Butter mouth	2
49	Screw M6x18	2
50	Handle	1
51	Trigger spring	1
52	Trigger lock	1
53	Adjuster	1
54	Screw	2

BRUGER MANUAL PÅ ENGELSK



Pos.	Name	Pcs.
1	Rubber cover	1
2	Bearing	3
3	Blade fixing plate	1
4	Aluminium pipe	3
5	Chain saw assembly	1
6	Safety cover	1

Primus **danmark.dk**