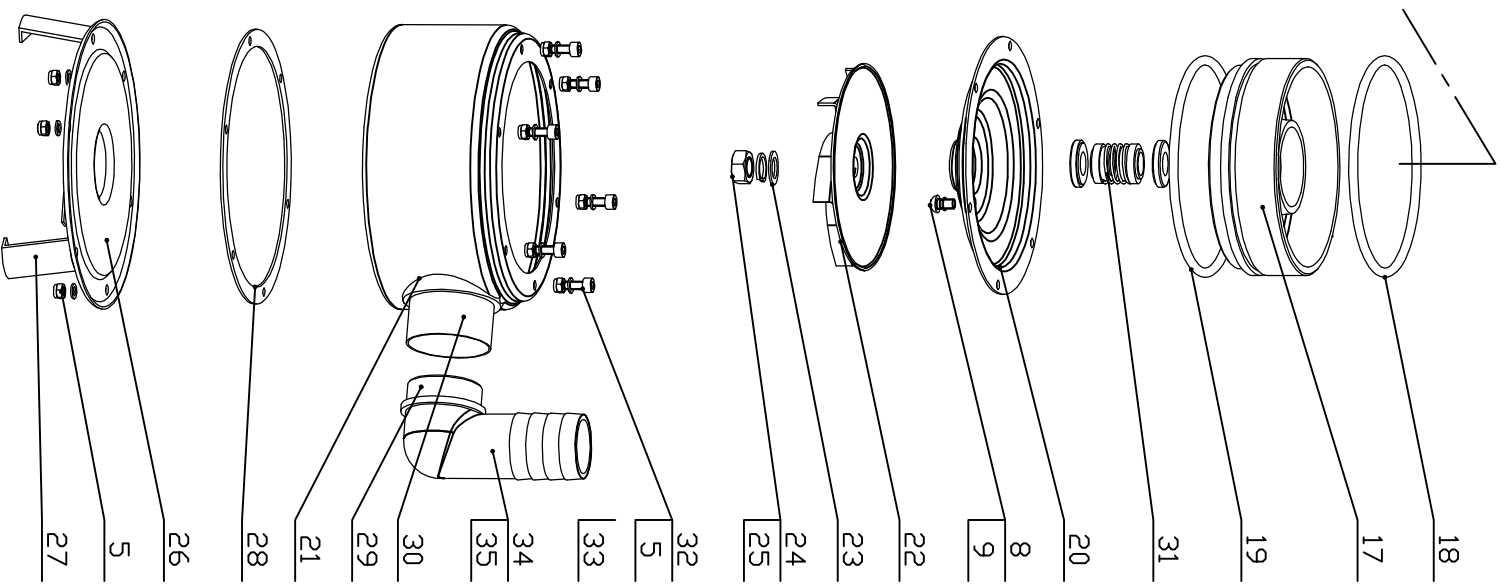
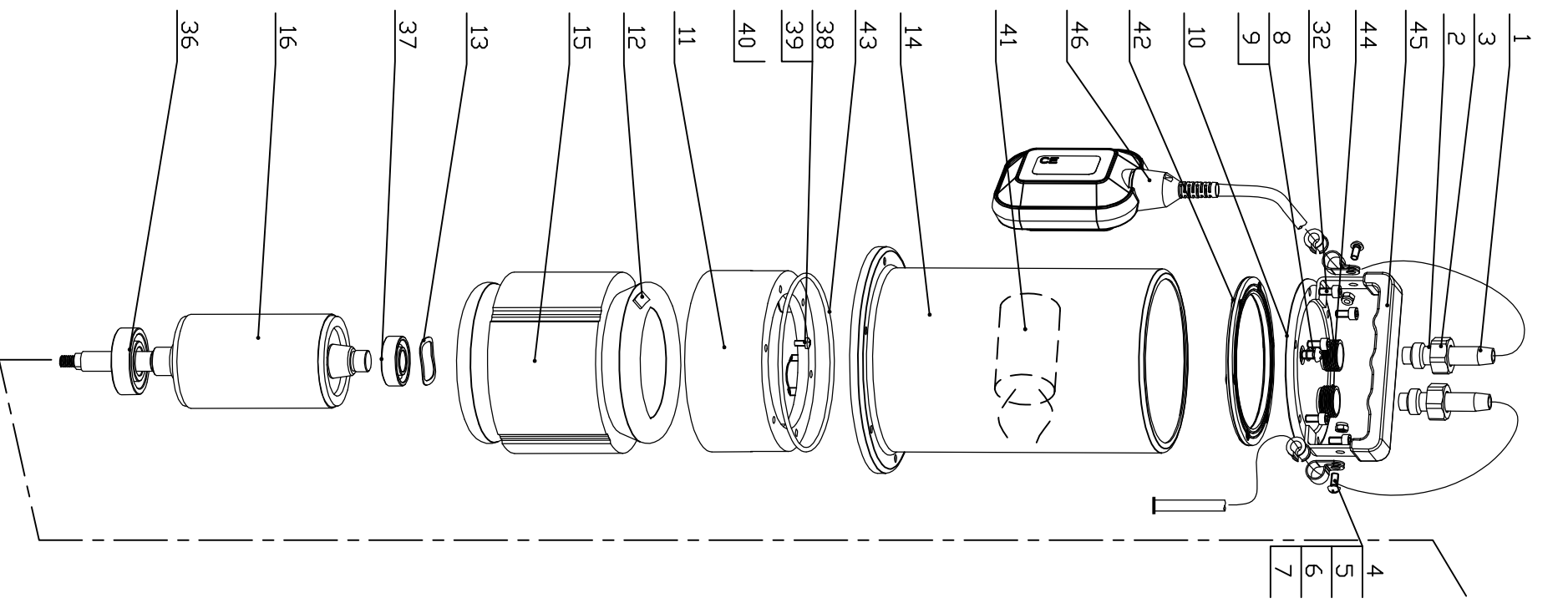


BT1-0M



序号	代号	编号	名称	数量	材料	重量	备注
46		005039	float switch	1			
45		005026	handle	1			
44		005025	socket	2	304		
43		0613	∅ ring 115×31	1	NBR		
42		005024	gasket	1	NBR		
41		0318	capacitor 30μF/450V	1			
40			grounding symbol	1	Al		

序号	代号	编号	名称	数量	材料	重量	备注
39		1136	locking washer	1	65Mn		
38		09081	cross head screw M8x8	1	Q235A		
37		0103	bearing 6202	1			
36		0104	bearing 6204	1			
35		005036	locking nut	1	nylon66+30%gf		
34			discharge elbow	1	nylon66+30%gf		
33		1102	washer 5	12	304		
32		0905	hex head screw M3X10	12	304		
31		0434	mechanical seal	1	C/SiC/SiC/SiC		
30		005020	discharge port	1	304		
29		0606	∅ ring 38x2	1	NBR		
28		005017	gasket	1	NBR		
27		011007	foot	3	304		
26		011006	impeller cover	1	304		
25		1109	washer 10	1	304		
24		1007	hex head nut M10	1	304		
23		011005	washer	2	304		
22		013004	impeller	1	304		
21		005037	volute casing	1	304		
20		005013	oil chamber	1	304		
19		0615	∅ ring 120×5.3	1	NBR		
18		0614	∅ ring 120×3.1	1	NBR		
17		005012	lower bearing plate	1	HT200		
16		013003	rotor	1			
15		07#	stator	1			
14		007002	motor housing	1	304		
13		1113	wave washer	1	65Mn		
12		0512	thermal 17AM032	1			
11		005006	upper bearing plate	1	HT200		
10		0050052	pump cover	1	304		
9		0602	∅ ring 6×1.9	2	NBR		
8		005027	cross head screw M6x6	2	304		
7		003025	rubber cylinder	2	NBR		
6		003024	cable clamp	2	304		
5		1020	hex head locking nut M5	14	304		
4		0911	cross head screw M3X10	2	304		
3		005004	pressing nut	2	304		
2		005003	pressing washer	2	304		
1		0050021	cable cord	1			

浙江丰源泵业股份有限公司

exploded view

WQ-1.1B